

MEASURING FOR **BLINDS**

INSIDE MOUNT

STEP 1: IDENTIFICATION OF WIDTH

To fix blinds inside the frame of the window the measurement needs to be taken between the inner edges of the frame. Refer A on image 1.

The measurement for width is taken from top left to right. Ensure that the width is constant throughout the entire window frame.

Note: The measurements of width need to be perfect so that the blinds can be fixed inside the given space.

STEP 2: IDENTIFICATION OF LENGTH

The measurement of the length from top to bottom needs to be taken between the inner edges of the frame. Refer B on image 1.

Ensure that the length is constant throughout the entire window frame. If there is any variation, please get in touch with us. We will guide you.

STEP 3: IDENTIFICATION OF DEPTH

To mount the blind on the inside you need to measure the depth of the window to see if there is sufficient space to fix the blinds.

The measurement of the depth is taken from inside out to the edge. Refer C on image 1.

A minimum depth is required to install the blinds.

Note: Different blinds have different frames; so identification of depth is very crucial.

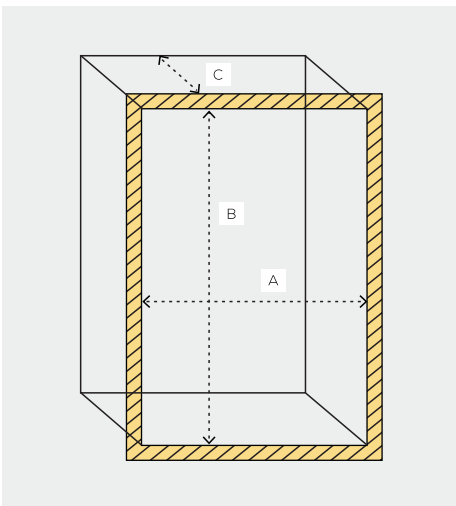


IMAGE - 1

MEASURING FOR **BLINDS**

OUTSIDE MOUNT

STEP 1: IDENTIFICATION OF WIDTH

Total Width $W = A + B + C$

A = Width of the window measured between the outer edges of the window frame

B = 3 inches on the left

C = 3 inches on the right

Example:

A = 40"

B = 3"

C = 3"

$W = 40 + 3 + 3$

$W = 46"$

Note: D on image 2 indicates the place where the blinds will be fixed; 3 inches above the top edge of the window frame.

STEP 2: IDENTIFICATION OF LENGTH

The length L is measured from the point on top (where the blinds will be mounted) to the point where you want the blind to drop to.

We recommend that you leave a gap of 3 inch on the top so that the blind can be fixed on it.

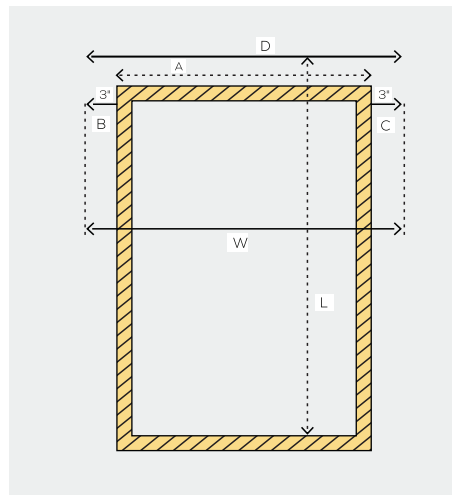


IMAGE - 2

HOW TO RECORD THE MEASUREMENTS:

Example:

S.No	Room	Door/Window	Position	Width	Height
1	Living Room	Window 1	Inner	46	60
	Living Room	Window 2	Outer	50	60
2	Main Bed Room	Window 1	Inner	46	50
	Main Bed Room	Window 2	Inner	40	50